



# POWER FACTOR CONTROLLER APFC 414 -144-3P



144 x 144mm

## FEATURES

- 1CT-3 phase sensing
- Intelligent Algorithm which Automatically switches between capacitor banks
- 6,8,12,16 steps
- Under compensation alarm (optional)
- User selection of auto/manual mode
- Auto detection of kVAr values.
- Universal auxiliary supply.

## Display Specifications

Type	: 7 Segment LED
Digits	: 4 digits 1 Row

## Input Specifications

Rated Input Voltage	: 40-550V AC (L-N) or 90-550V AC (L-L)
Rated Input Current	: Nominal 5A/AC (Min 50mA, Max 6A)
Frequency	: 45-65 Hz
Burden	: <8VA
Wiring Input	: L-L
Accuracy	: Voltage, Current, kVAr $\pm 1.0\%$ & Power factor $\pm 1.0\%$

## Measurement Range

Power Factor : 0.8 lag to 0.8 lead

Alarm Indications : Under compensation (optional)

## Settable Parameters

CT Primary : 5A - 5000A AC(Selectable)

## Output Specifications

Output Contacts	: NO, One common point Max fuse 6A
Steps	: Upto 16 steps (Max)
Relay Contact	: 5A @ 415VAC (Max)

## Auxiliary Supply Specifications

Input voltage range	: 85 - 270V AC/DC
Consumption	: 7VA max
Frequency	: 50-60 Hz

## Control Specifications

Target PF	: 0.8 lag to 0.8 lead
Control Sensitivity	: 5% to 100%
Discharge & Reconnection	: 1 to 999 sec
Switching program	: Intelligent Algorithm Switching
Control Mode	: Automatic / Manual

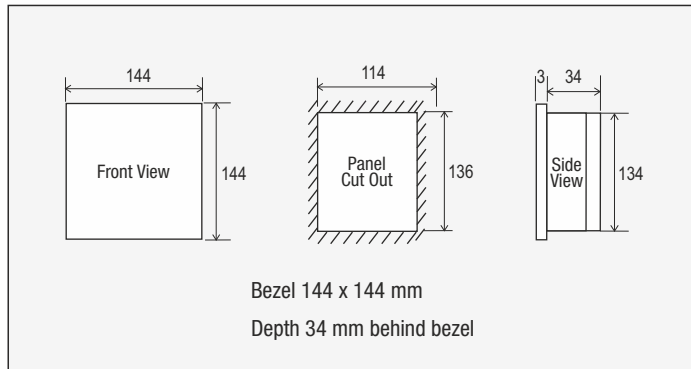
## Environmental Specifications

Temperature	: Operating Temperature : 0° to 60°C : Storage Temperature : -20° to 60°C
Humidity	: 0% to 95% without moisture consideration

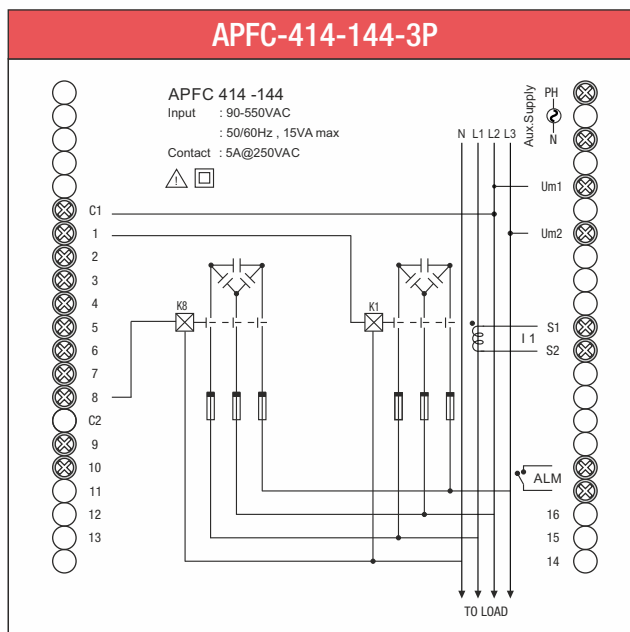
## Mechanical Specifications

Mounting	: Panel Mount
Size	: 144X144mm
Weight	: 500gms
Screw Tightening Torque	: 0.5 NM

## Mechanical Specifications



## Connection Diagram



## Ordering Information

PRODUCT NAME	DESCRIPTIONS
APFC414-144-3PH-6R	APFC 414-144X144 1CT 3PH 6 STAGE-415V
APFC414-144-3PH-8R	APFC 414-144X144 1CT 3PH 8 STAGE-415V
APFC414-144-3PH-12R	APFC 414-144X144 1CT 3PH 12 STAGE-415V
APFC414-144-3PH-16R	APFC 414-144X144 1CT 3PH 16 STAGE-415V
APFC414-144-3PH-6R-AL	APFC 414-144X144 1CT 3PH 6 STAGE-415V-ALARM
APFC414-144-3PH-8R-AL	APFC 414-144X144 1CT 3PH 8 STAGE-415V-ALARM
APFC414-144-3PH-12R-AL	APFC 414-144X144 1CT 3PH 12 STAGE-415V-ALARM
APFC414-144-3PH-16R-AL	APFC 414-144X144 1CT 3PH 16 STAGE-415V-ALARM